

Product Description

PD-TS-007

Issue 1.0

Date November 2006

The purpose of this product description is to enable the customer to satisfy himself as to whether or not the product or service would be suitable for his needs. All previous product descriptions for this product or service are superseded by this document. Acceptance of any order placed is in accordance with the content of the latest product description at the time the order is placed. As it is Travsys's policy to continue to develop and to improve its products and services, customers are advised to contact their Travsys representative to ensure that they are in possession of the latest product description concerning the product or service. This product description is valid in terms of the data shown below. Certain of the facilities referred to in this Product Description may be Diagnostic Materials (including diagnostic and test routines, programs, manuals, documentation, and data) incorporated solely for use by Travsys and/or the Customer, but only as authorized by Travsys. Travsys reserves the right to change or withdraw such facilities.

Web Connect Service

Product Identity

Order code:

Outline Description

The Web Connect Service is an access and security server which provides connectivity from the airlines sales office, via the internet to a centrally installed CSPNT server. From this CSPNT Server a dedicated link via SITA or ARINC provides access to the airlines mainframe reservation or departure control system.

To use Web Connect, no software is needed to be installed on the workstation, other than the operating system including the Internet Explorer browser.

After the first time a computer has made a connection with the Web Connect Server, the system administrator can set any specific configuration for that particular workstation , like attached printers and other devices.

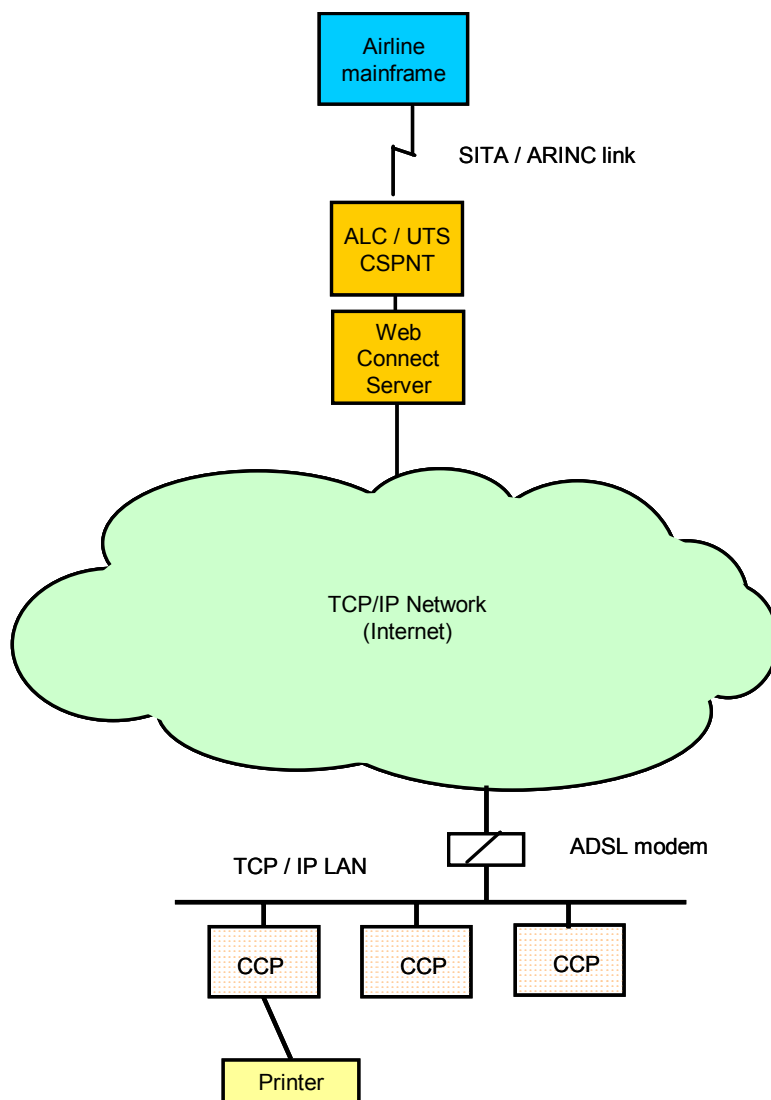
Host Protocols Supported

After the Web Connect server has granted access to the user and its associated workstation, the CCP client software is downloaded and a session with a CSPNT server is initiated. The user can start working with this CCP session as with any other dedicated terminal emulation software.

Since the Web Connect service is using the CSPNT software all the relevant airline protocols are supported, like:

ALC, UTS, MATIP, or AX25 (and other airline specific protocols implementations)

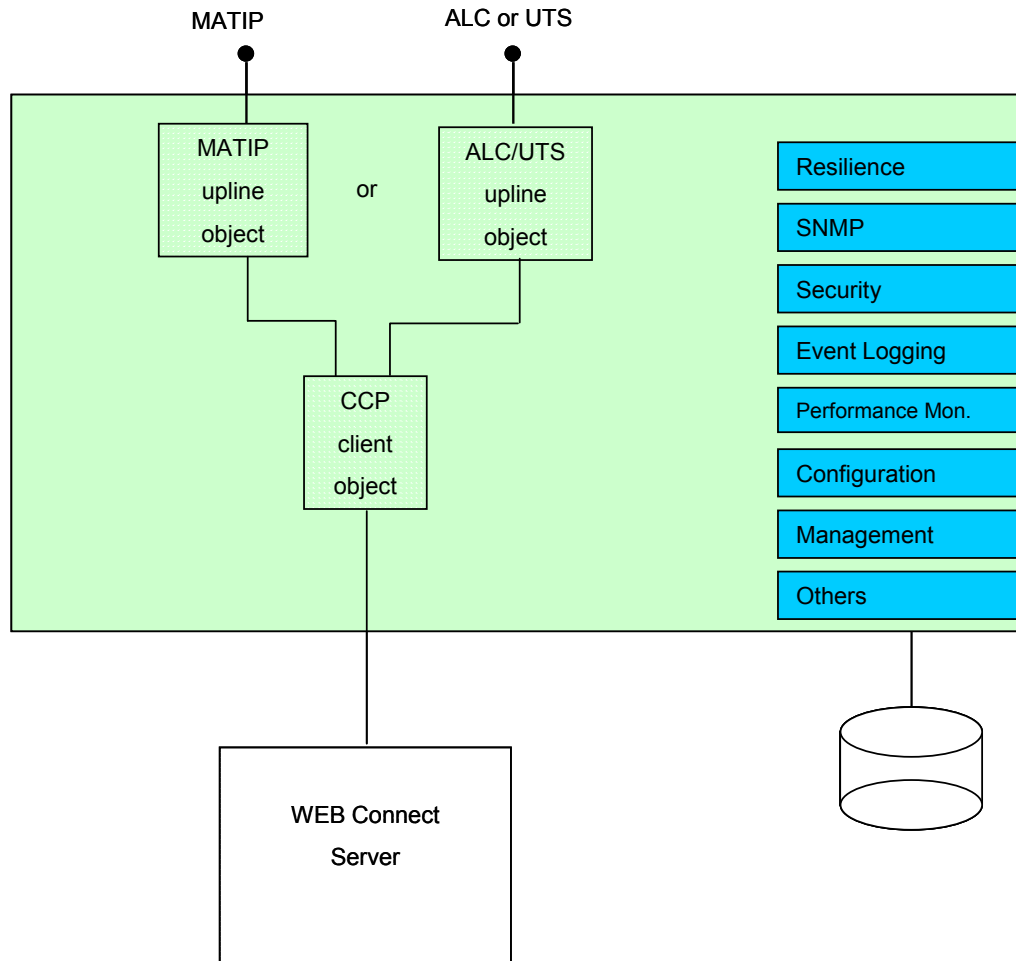
Principal Features



The diagram above illustrates a configuration with the Web Connect solution.

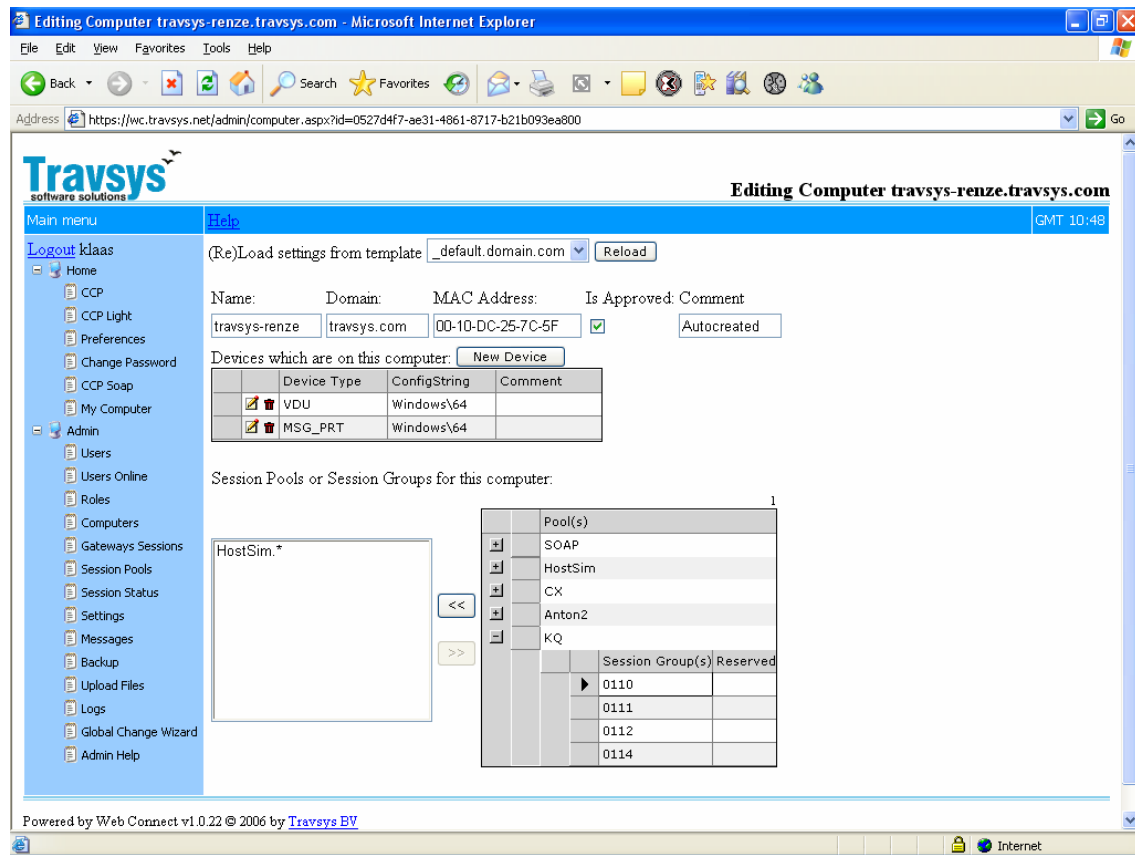
The Web Connect solution is designed:

- As an end-to-end solution for airlines.
- For use over public internet
- To be highly secure
- For ease of implementation
- To be simple
- As a homogeneous solution to legacy systems connection
- To be transparent to the user
- For the future



The diagram above illustrates the CSPNT objects that are incorporated in Web Connect server as well as the available software interfaces. For further details about the CSPNT see PD-TS-001-CSPNT document.

Web Connect Server



Sample of the Web Connect server.

The Web Connect server has a user section and an administrator section. Depending on the access rights the administrator part is shown or hidden.

After the user is logged-in, it has to choose the session which is provided.

The Administrator can create new Users, Roles, Pools and other settings. After a computer has made contact for the first time, the administrator can configure that computer with the designated sessions and associated printers. This configuration will remain with this computer, independent of the user who logs on.

In the Logs section the administrator can see which users have logged-in and if there where any error.

This page is typically branded to the airlines style and requirement.

Some of the parameters which can be define as administrator of Web Connect are:

- Users

To defines the user name, its role etc

- Roles

Defined roles within the service. This can be User, Admin, etc.

- Computers

Computers are identified by their fully qualified domain name or by their MAC address. Linked to the computer name is the hardware configuration for this device.

- Gateway Sessions and Session pools

Sessions and Session Pools are the link between the User/Computer and the host. These sessions can be fixed or organized in pools.

Trademarks

- CSPNT, CCP, and SPC/USB are trademarks of Travsys BV
- **Windows** is a registered trademark of Microsoft Corporation.
- All other trademarks are the property of their respective owners

Travsys BV
Industrieweg 22
3738 JX Maartensdijk
The Netherlands